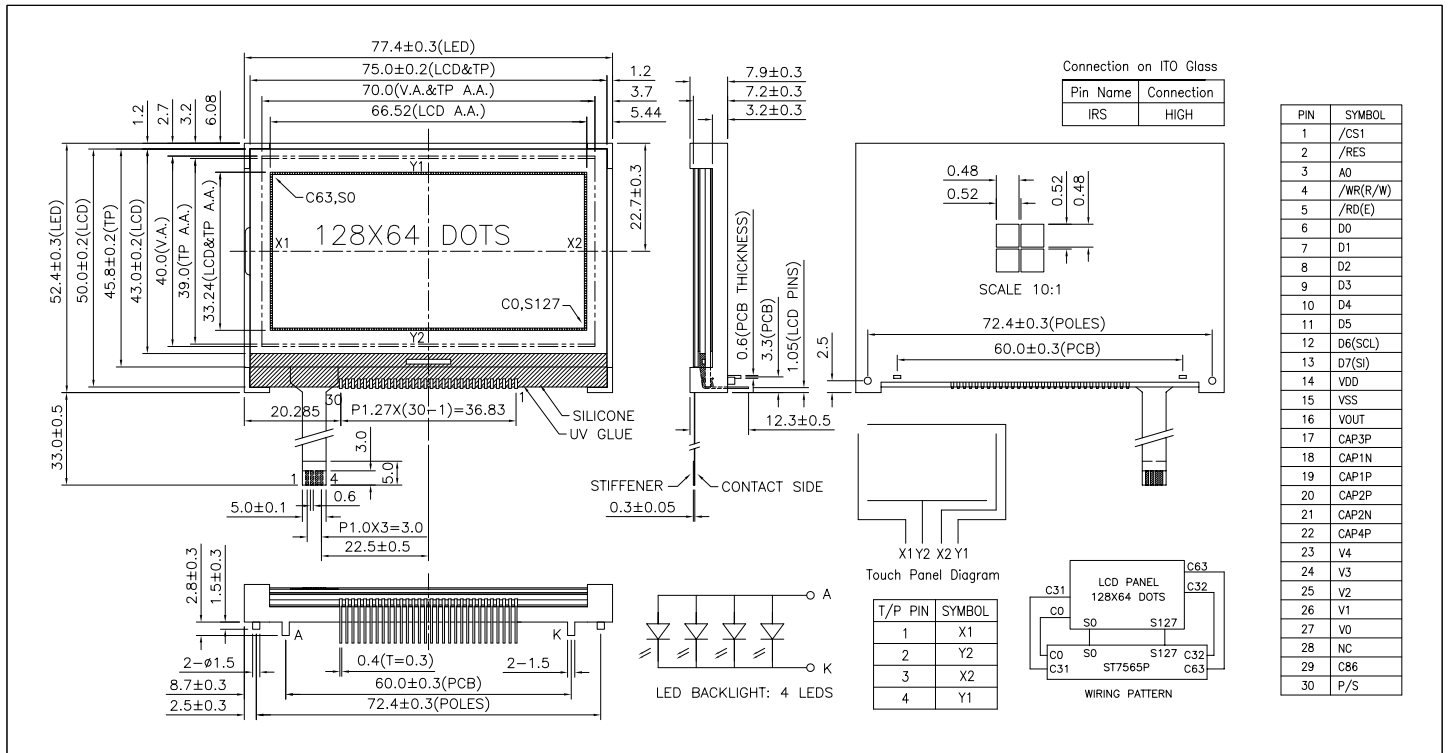


# LG12864F-DW-TP

128 x 64 dots + white led backlight + touch panel



## ABSOLUTE MAXIMUM RATINGS

Item	Symbol	Min.	Max.	Unit
Supply Voltage(Logic)	V <sub>DD</sub> - V <sub>SS</sub>	-0.3	3.6	V
Supply Voltage(LCD)	V <sub>OUT</sub> - V <sub>SS</sub>	-0.3	14.5	V
Input Voltage	V <sub>I</sub>	-0.3	V <sub>DD</sub> + 0.3	V
Operating Temp.	T <sub>opr</sub>	-20	70	°C
Storage Temp.	T <sub>stg</sub>	-30	80	°C

## MECHANICAL DATA

Item	Nominal Dimensions	Unit
Module Size ( W x H x T )	77.4 x 52.4 x 12.3	mm
Viewing Area ( W x H )	70.0 x 40.0	mm
Dot Pitch ( W x H )	0.52 x 0.52	mm
Dot Size ( W x H )	0.48 x 0.48	mm
Weight	Approx. 45	g

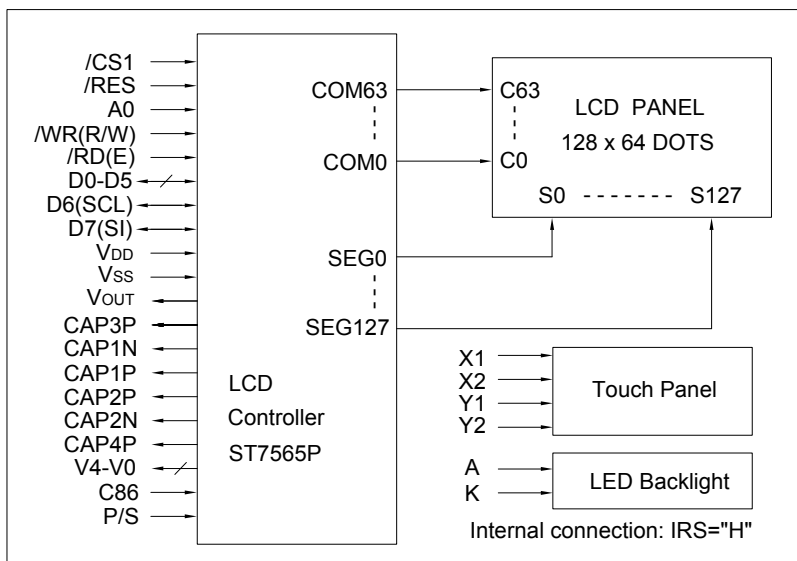
## ELECTRICAL CHARACTERISTICS ( V<sub>DD</sub>=2.4V to 3.3V )

Item	Symbol	Test Condition	Min.	Typ.	Max.	Unit
Input High Voltage	V <sub>IH</sub>	--	0.8V <sub>DD</sub>	--	V <sub>DD</sub>	V
Input Low Voltage	V <sub>IL</sub>	--	0	--	0.2V <sub>DD</sub>	V
Output High Voltage	V <sub>OH</sub>	I <sub>OH</sub> = -0.1mA	0.8V <sub>DD</sub>	--	V <sub>DD</sub>	V
Output Low Voltage	V <sub>OL</sub>	I <sub>OL</sub> = 0.1mA	0	--	0.2V <sub>DD</sub>	V
Supply Current	I <sub>DD</sub>	V <sub>DD</sub> = 3.0V	--	0.5	1.2	mA
LCD Driving Voltage	V <sub>0</sub> - V <sub>SS</sub>	T <sub>a</sub> =25°C	--	9.0	--	V

## PIN CONNECTIONS

Pin	Symbol	Level	Function
1	/CS1	L	Chip selection signal. Active "L"
2	/RES	L	Reset signal. Active "L"
3	A0	H/L	H:Display data L:Instruction code
4	/WR(R/W)	H/L	/WR for 80 MPU, R/W for 68 MPU
5	/RD(E)	H/L	/RD for 80 MPU, E for 68 MPU
6-13	D0-D7	H/L	Data bus line
14	V <sub>DD</sub>	2.4-3.3V	Power supply for logic and booster
15	V <sub>SS</sub>	0V	GND
16	V <sub>OUT</sub>	--	DC/DC voltage converter output
17	CAP3P	--	Capacitor 3 positive connection
18	CAP1N	--	Capacitor 1 negative connection
19	CAP1P	--	Capacitor 1 positive connection
20	CAP2P	--	Capacitor 2 positive connection
21	CAP2N	--	Capacitor 2 negative connection
22	CAP4P	--	Capacitor 4 positive connection
23-27	V4-V0	--	Power supply for LCD drive
28	NC	--	No connection
29	C86	H/L	H: 6800 MPU L: 8080 MPU
30	P/S	H/L	H: Parallel mode L: Serial mode

## BLOCK DIAGRAM



## LED BACKLIGHT SPECIFICATIONS (T<sub>a</sub>=25°C)

Item	Symbol	Typ.	Max.	Unit
Forward Voltage	V <sub>f</sub>	3.1	3.3	V
Forward Current	I <sub>f</sub>	60	--	mA
LED Color		White		